

SPECIFICATION SHEET

PRODUCT # GR575-AB

Housing: Die-casting brass Knuckle with adjustable thumb screw. Easy adjustable for vertical tilt and horizontal rotation.

Lens: Heat Resistant Convex Glass Lens is fully sealed with silicon sealant reduces water build-up and puddle on the lens.

Socket: High temperature ceramic socket with nickel contacts, Stainless steel spring

Lamp: LED MR-16 Lamp type, Max wattage 50W.

Gasket: A thick rubber gasket.

Wiring: 3' #18/2 Direct bury landscape lighting wire with UL listed, Pre-stripped hub-ready leads for quick installation

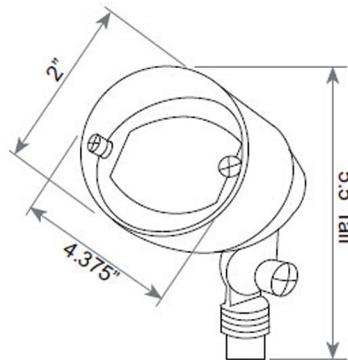
Mounting: In-ground ABS Stake or Surface/Tree Mounting

Electrical Notes: A remote 12V transformer required, may be ordered to Elram, Inc separately. Voltage range for 12V halogen lamps are 11V-12.5V Voltage range for LED lamps are 9V-17V

Hardware: Hevagonal screw fix two part

Warranty: Limited lifetime warranty.

GR575			
SERIES	FINISH	VOLTAGE	LAMP
GR575- ABS Stake TR513- Surface/ Tree	AB- Antique Brass	(Blank) -12V DC	7MR16/2700K/36D 7MR16/3000K/36D 7MR16/4200K/36D



ACCESSORIES

- ABS Stake
- Surface/Tree Mounting

In-ground ABS Stake



Surface/ Tree mounting

