

SPECIFICATION SHEET

PRODUCT # GR527-SS

Housing: Stainless steel 316 grade. Easy adjustable for vertical tilt and horizontal rotation.

Lens: Heat resistant Convex Glass Lens is fully sealed with silicon sealant reduces water build-up and puddle on the lens.

Socket: High Temperature ceramic socket with nickel contacts, Stainless Steel spring

Lamp: LED MR16 Lamp type, Max wattage 50W.

Gasket: A thick rubber gasket.

Wiring: 3' #18/2 Direct bury landscape lighting wire with UL listed, Pre-stripped hub-ready leads for quick installation.

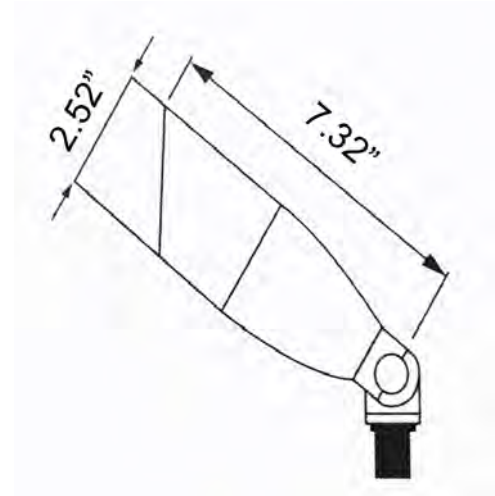
Mounting: In-ground ABS Stake or Surface/Tree Mounting

Electrical Notes: A remote 12V transformer required, may be ordered to Elram, Inc. separately. Voltage range for 12V halogen lamps are 11V-12.5V. Voltage range for LED lamps are 9V-17V

Hardware: Hexagonal crew fix to part

Warranty: Limited lifetime Warranty

GR527			
SERIES	FINISH	VOLTAGE	LAMP
GR527- Stainless Steel Bullet	AB Antique Brass SS Stainless Steel	12V DC	L - LED LAMP



ACCESSORIES

In-Ground ABS Stake



Surface / Tree Mounting

