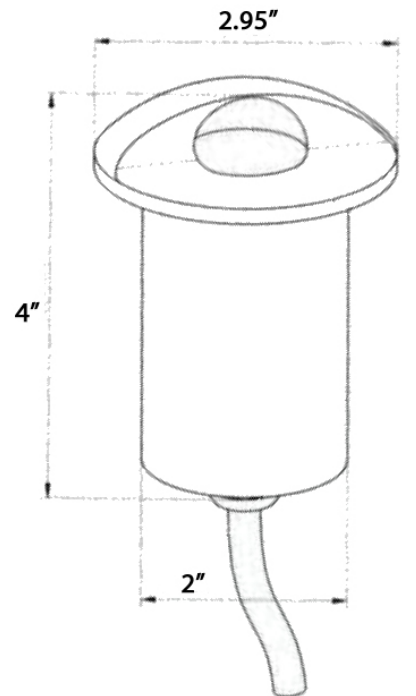


SPECIFICATION SHEET

PRODUCT # GW305-AB Half Moon In-Ground

- Housing:** Die-cast aluminum knuckle and adjustable thumb screw. Easy adjustable for vertical tilt and horizontal rotation.
- Wiring:** 3' #18/2 Direct bury landscape lighting wire with UL listed, Pre-stripped hub-ready leads for quick installation.
- Mounting:** In-ground ABS Stake or Surface/Tree Mounting.
- Lens:** Heat resistant Convex Glass Lens is fully sealed with silicon sealant reduces water build-up and puddle on the lens. Flat Tempered Glass.
- Electrical Notes:** A remote 12V transformer required, may be ordered to Elram, Inc. separately. Voltage range for 12V halogen lamps are 11V-12.5V. Voltage range for LED lamps are 9V-17V.
- Socket:** High Temperature ceramic socket with nickel contacts, Stainless Steel spring.
- Hardware:** Hexagonal crew fix to part.
- Lamp:** MR-16 Lamp type, 12V Max wattage 50W.
- Warranty:** Limited lifetime Warranty.
- Gasket:** A thick rubber gasket.

MOUNT	LIGHT ENGINE	SERIES	COLOR TEMP	FINISH	LUMEN	BEAM °
GW		305				
GW - In-Ground	blank LED MR11	Half Moon In-Ground	27 2700K 3K 3000K 4K 4000K 5K 5000K	AB Antique Bronze	02 180lm	38 38° 60 60°



PVC Sleeve Diameter: 2 1/2"