

SPECIFICATION SHEET

PRODUCT # GR504-BK Aluminum Tulip

Housing: Die-cast aluminum knuckle and adjustable thumb screw. Easy adjustable for vertical tilt and horizontal rotation.

Lens: Heat resistant Convex Glass Lens is fully sealed with silicon sealant reduces water build-up and puddle on the lens. Flat Tempered Glass.

Socket: High Temperature ceramic socket with nickel contacts, Stainless Steel spring.

Lamp: MR16 Lamp type, 12V Max wattage 50W.

Gasket: A thick rubber gasket.

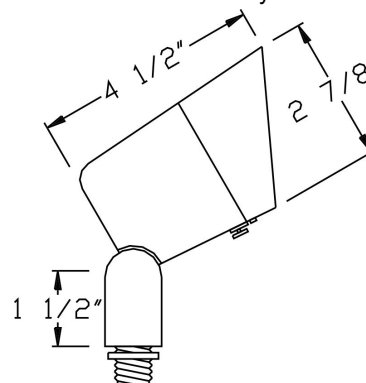
Wiring: 3' #18/2 Direct bury landscape lighting wire with UL listed, Pre-stripped hub-ready leads for quick installation.

Mounting: In-ground ABS Stake or Surface/Tree Mounting

Electrical Notes: A remote 12V transformer required, may be ordered to Elram, Inc. separately. Voltage range for 12V halogen lamps are 11V-12.5V. Voltage range for LED lamps are 9V-17V.

Hardware: Hexagonal crew fix to part.

Warranty: One (1) year warranty against housing and body defects.



ORDERING INFORMATION

Sample Part Number: GR504-BK-L2000

MOUNT	LIGHT ENGINE	SERIES	FINISH	LAMP
GR - In-ground ABS Stake	blank - LED MR16	504 - Aluminum Tulip	BK - Black	L2000 - 7W LED MR16 2700K
TR - Surface Tree mount			BZ - Bronze	
			WH - White	

AVAILABLE WATERPROOF LED MR16 LAMPS						
LAMP #	BEAM °	CCT	Wattage	Equivalent	Lumen	Rated Hours
L1900	15°	27	4W	20W Halogen	300lm	50,000
L1901	15°	3K	4W	20W Halogen	300lm	50,000
L1902	15°	4K	4W	20W Halogen	300lm	50,000
L1910	45°	27	4W	20W Halogen	300lm	50,000
L1911	45°	3K	4W	20W Halogen	300lm	50,000
L1912	45°	4K	4W	20W Halogen	300lm	50,000
L1915	60°	27	4W	20W Halogen	300lm	50,000
L1916	60°	3K	4W	20W Halogen	300lm	50,000
L1917	60°	4K	4W	20W Halogen	300lm	50,000
L1990	15°	27	7W	50W Halogen	520lm	50,000
L1991	15°	3K	7W	50W Halogen	520lm	50,000
L1992	15°	4K	7W	50W Halogen	520lm	50,000
L2000	45°	27	7W	50W Halogen	520lm	50,000
L2001	45°	3K	7W	50W Halogen	520lm	50,000
L2002	45°	4K	7W	50W Halogen	520lm	50,000
L2005	60°	27	7W	50W Halogen	520lm	50,000
L2006	60°	3K	7W	50W Halogen	520lm	50,000
L2007	60°	4K	7W	50W Halogen	520lm	50,000

All Oak Landscape Lighting LED lamps have a 5 year limited warranty against manufacturers defect.

When ordering LED lamp with fixture Incorporate Lumen Output, CCT, and Beam° or just Lamp # Into the part number from the lamp Chart above