

## SPECIFICATION SHEET

### PRODUCT # GR578-AB Flood

**Housing:** Heavy duty solid Brass construction

**Wiring:** 3' #18/2 Direct bury landscape lighting wire with UL listed, Pre-stripped hub-ready leads for quick installation.

**Lens:** Heat resistant Convex Glass Lens is fully sealed with silicon sealant reduces water build-up and puddle on the lens. Flat Tempered Glass.

**Mounting:** In-ground ABS Stake or Surface/Tree Mounting.

**Socket:** High Temperature ceramic socket with nickel contacts, Stainless Steel spring.

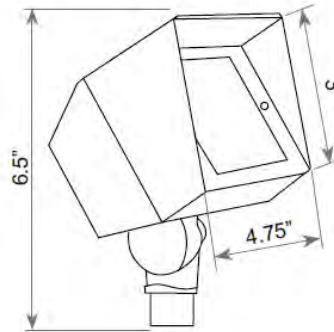
**Electrical Notes:** A remote 12V transformer required, may be ordered to Elram, Inc. separately. Voltage range for 12V halogen lamps are 11V-12.5V. Voltage range for LED lamps are 9V-17V.

**Lamp:** G4 or MR16 Lamp type, 12V Max wattage 50W.

**Hardware:** Hexagonal crew fix to part.

**Gasket:** A thick rubber gasket.

**Warranty:** Limited lifetime Warranty.



## ORDERING INFORMATION

Sample Part Number: GR578-AB

MOUNT	LIGHT ENGINE	SERIES	FINISH	LAMP
<b>GR -</b> In-ground	<b>blank -</b> LED G4 or MR16	<b>578 -</b> Brass Flood	<b>56 -</b> Antique Bronze	
<b>TR -</b> Surface, Tree Mounting			<b>BB -</b> Brushed Nickel ; <b>A -</b> Gun Metal <b>A6 -</b> Mid Night Black	

## ACCESSORIES

In-Ground ABS Stake



Surface / Tree Mounting

