

## SPECIFICATION SHEET

### PRODUCT # PR810-AB Adjustable Bell

**Housing:** Solid brass construction and copper construction. Three "O" Ring rubber seal on post for moisture protection. Ceramic white paint under shade for maximum photometric.

**Lens:** Frosted lens reduces glare and gives softer illumination.

**Socket:** High Temperature ceramic socket with nickel contacts, Stainless Steel spring. Rubber bug plug in lead wires exit stem to protect moisture and insects entering the fixture.

**Lamp:** G4 LED Lamp type, 12V Max wattage 20W.

**Gasket:** A thick rubber gasket.

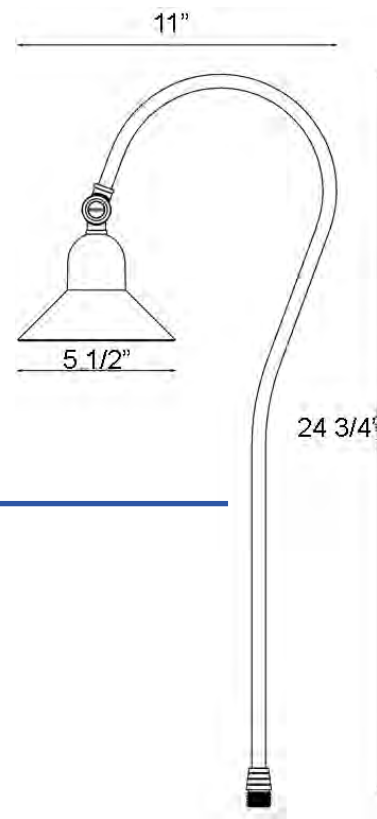
**Wiring:** 3' #18/2 Direct bury landscape lighting wire with UL listed, Pre-stripped hub-ready leads for quick installation.

**Mounting:** In-ground ABS Stake.

**Electrical Notes:** A remote 12V transformer required, may be ordered to Elram, Inc. separately. Voltage range for 12V halogen lamps are 11V-12.5V. Voltage range for LED lamps are 9V-17V.

**Hardware:** Hexagonal crew fix to part.

**Warranty:** Limited lifetime Warranty.



### ORDERING INFORMATION

Sample Part Number: PR810-AB

MOUNT	LIGHT ENGINE	SERIES	FINISH	LAMP
PR - Path Light	blank - LED G4	810 - Adjustable Bell	56 - Antique Bronze BB - Brushed Nickel ; A -Gun Metal A6 -Mid Night Black	

#### ACCESSORIES

For more options please visit our website accessories page.

**In-Ground ABS Stake (Included)**



**Hard Surface Mount (AX128-AB Order Separately)**

