

## SPECIFICATION SHEET

### PRODUCT # GRD564-XX Brass Marigold

**Housing:** Heavy duty solid Brass construction.

**Wiring:** 3' #18/2 Direct bury landscape lighting wire with UL listed, Pre-stripped hub-ready leads for quick installation.

**Lens:** Heat resistant Convex clear Flat Tempered Glass is fully sealed with silicon sealant reduces water build-up and puddle on the lens.

**Mounting:** 9" In-ground ABS Stake or Surface/ Tree Mounting.

**Notes:** Operating Frequency: 50 / 60Hz.  
Operating Temperature: -4 ~ 122°F (-20 ~ 50°C)  
Ambient Temperature: -4 ~ 176°F (-20 ~ 80°C)

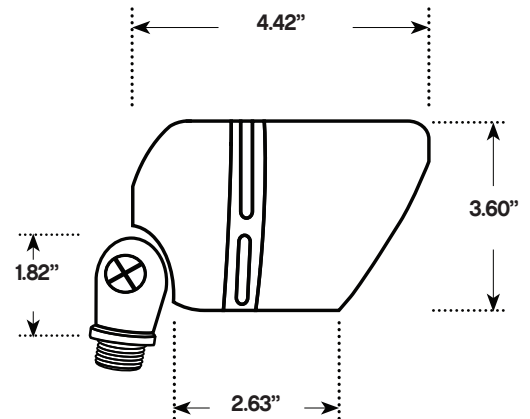
**Electrical Notes:** A remote 12V transformer required, may be ordered to Elram, Inc. separately. Voltage range for 12V halogen lamps are 11V-12.5V. Voltage range for LED lamps are 9V-17V.

**Lamp:** 80CRI CREE INTEGRATED LED

**Hardware:** Hexagonal crew fix to part.

**Gasket:** A thick rubber gasket

**Warranty:** Limited lifetime Warranty.



## ORDERING INFORMATION

Sample Part Number: GRD564-3K-AB

MOUNT	LIGHT ENGINE	SERIES	CONTROL OPTION	VOLTAGE	CCT	FINISH	BEAM °
<b>GR -</b> In-ground	<b>D -</b> 12W, 750lm Dedicated CREE LED	<b>564 -</b> Brass Marigold	<b>blank -</b> Dimming	<b>blank -</b> 12V AC	<b>27 -</b> 2700K	<b>56 -</b> Antique Bronze	<b>35 -35°</b>  <b>60 -60°</b>
<b>TR -</b> Surface, Tree Mounting					<b>3K -</b> 3000K		
					<b>5K -</b> 5000K	<b>A -</b> Gun Metal	
						<b>A6 -</b> Mid Night Black	

## ACCESSORIES

In-Ground ABS Stake



Surface / Tree Mounting

